



SUNNYBATT®

SY-S80W-12
High Efficiency, High Quality PV Module.

All-purpose Module

SUNNYBATT Solar module is a robust all-purpose solar module with high efficiency solar cell. These modules can be used for off-grid residential or commercial applications. Our meticulous design and production techniques ensure a high-yield, long term performance for every module. Our rigorous QC and testing facilities guarantee our modules meet highest quality standards possible.

Applications

- *Off grid residential roof-tops
- *off grid commercial/industrial roof-tops
- *rural area applications
- *Solar power system
- *Other off-grid applications

Product' s Guarantee

- 5 years products life warranty
- 15 years module power output no less 90%
- 20 years module power output no less 80%



Key features

- *High module efficiency and stable power output based on leading process technology
- *Outstanding electrical performance under high temperature conditions or low irradiance conditions.
- * Easy of installation and all-weather applications
- *5 years product warranty (materials and workmanship)
- 20 years module power output warranty
- *Peak power of single module is guaranteed in +3% power tolerance
- *Strong framed module, passing load test of 5400 Pa (IEC61215 2nd)
- *The manufacturer is certified for ISO 9001:2000

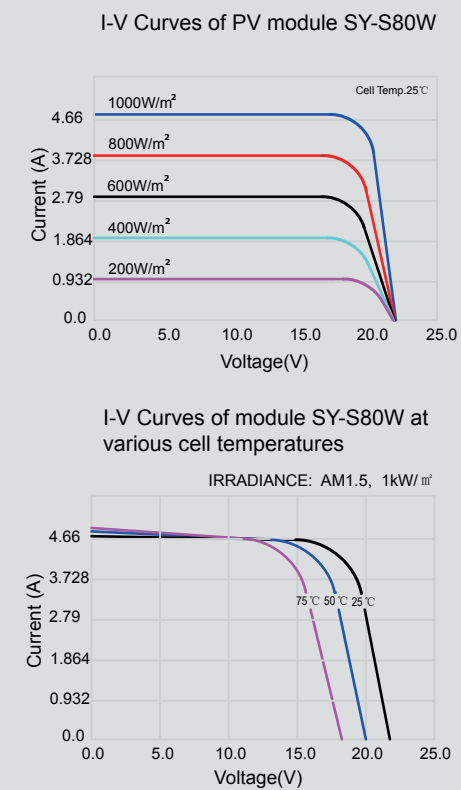
SUNNYBATT®

SY-S80W-12
High Efficiency, High Quality PV Module.

Electrical Characteristics	SY-S80W-12
Maximum power (Pmax)	80W
Voltage at Pmax (Vmp)	17.2V
Current at Pmax (Imp)	4.66A
Open-circuit voltage (Voc)	21.6V
Short-circuit current (Isc)	5.29A
Temperature coefficient of Voc	-(0.40 ± 0.05)%/ °C
Temperature coefficient of Isc	(0.065 ± 0.01) % / °C
Temperature coefficient of power	-(0.5±0.05)%/ °C
NOCT (Air 20°C; Sun 0.8kW/m wind 1m/s)	47±2°C
Operating temperature	-40°C to 85°C
Maximum system voltage	600V DC
Power tolerance	± 5%
Cells	Monocrystalline silicon solar cell
No. of cells and connections	36(4*9)
Module Dimension	1198*546*30mm
Weight	8kg

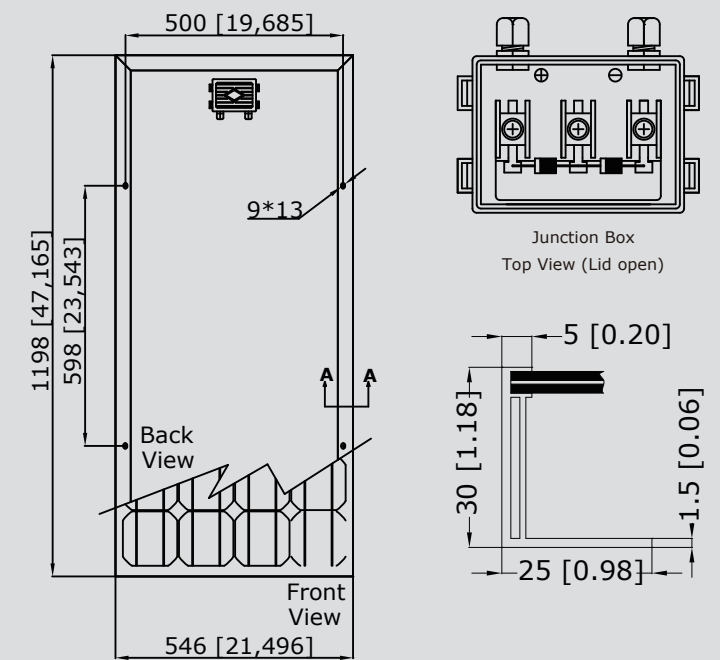
* STC:Irradiance 1000W/m², AM1.5 spectrum, module temperature25°C
* Specifications are subject to change without notice at any time.

I-V Curves



Module Diagram

Dimensions in brackets are in inches.
Un-bracketed dimensions are in millimeters.
Unit:mm[in.]



HIGH QUALITY, LONG GUARANTEE