

SUNNYBATT®

SY-S120W-12
High Efficiency, High Quality PV Module.

All-purpose Module

SUNNY BATT Solar module is a robust all-purpose solar module with high efficiency solar cell. These modules can be used for off-grid residential or commercial applications. Our meticulous design and production techniques ensure a high-yield, long term performance for every module. Our rigorous QC and testing facilities guarantee our modules meet highest quality standards possible.

Applications

- *Off grid residential roof-tops
- *off grid commercial/industrial roof-tops
- *rural area applications
- *Solar power system
- *Other off-grid applications

Product's Guarantee

- 5 years products life warranty
- 15 years module power output no less 90%
- 20 years module power output no less 80%



Key features

- *High module efficiency and stable power output based on leading process technology
- *Outstanding electrical performance under high temperature conditions or low irradiance conditions.
- * Easy of installation and all-weather applications
- *5 years product warranty (materials and workmanship)
- 20 years module power output warranty
- *Peak power of single module is guaranteed in ±5% power tolerance
- *Strong framed module, passing load test of 5400 Pa (IEC61215 2nd)
- *The manufacturer is certified for ISO 9001:2000

SUNNYBATT®

SY-S120W-12

High Efficiency, High Quality PV Module.

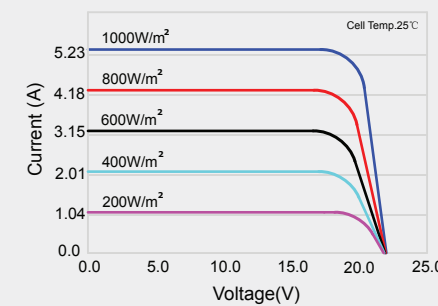
Electrical Characteristics

	SY-S120W-12
Maximum power (Pmax)	120W
Voltage at Pmax (Vmp)	18V
Current at Pmax (Imp)	6.68A
Open-circuit voltage (Voc)	22.2V
Short-circuit current (Isc)	7.51A
Temperature coefficient of Voc	-(0.40 ± 0.05)%/ °C
Temperature coefficient of Isc	(0.065 ± 0.01) % /°C
Temperature coefficient of power	-(0.5±0.05)%/ °C
NOCT (Air 20°C; Sun 0.8kW/m wind 1m/s)	47±2°C
Operating temperature	-40°C to 85°C
Maximum system voltage	600V DC
Power tolerance	± 3%
Cells	Multicrystalline silicon solar cell
No. of cells and connections	144(6X24)
Module Dimension	1080mm[45.52in.]x830mm[32.68in.]x35mm[1.18in.]
Weight	9.84kg[21.69lbs]

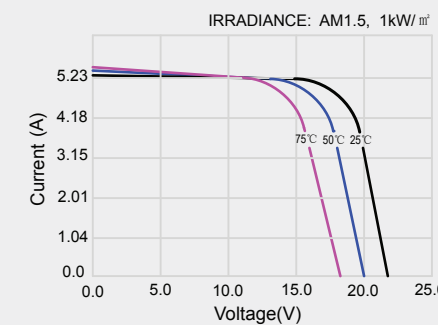
* STC:Irradiance 1000W/m², AM1.5 spectrum, module temperature 25 °C
* Specifications are subject to change without notice at any time.

I-V Curves

I-V Curves of PV module SY-S120W

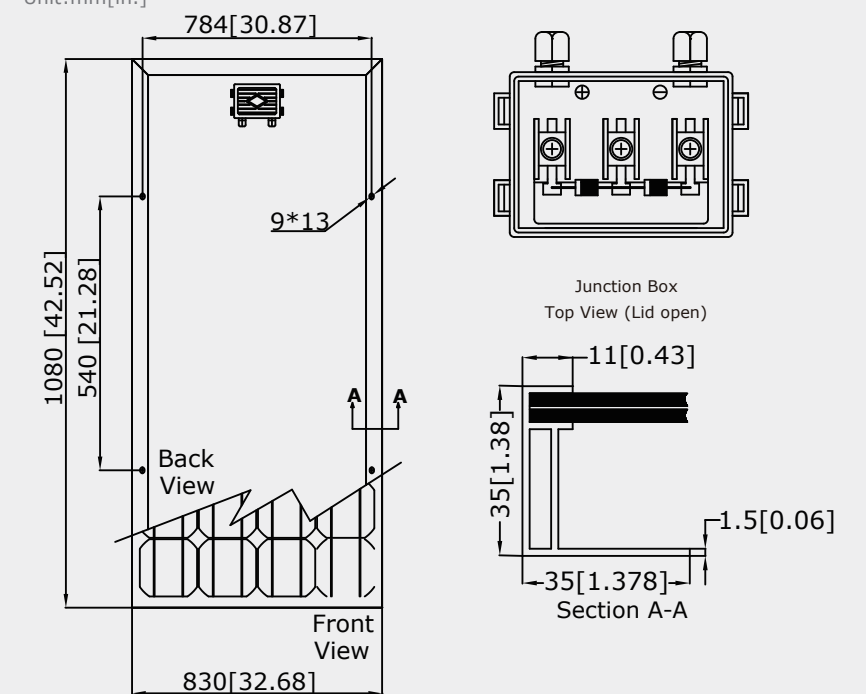


I-V Curves of module SY-S120W at various cell temperatures



Module Diagram

Dimensions in brackets are in inches.
Un-bracketed dimensions are in millimeters.
Unit:mm[in.]



HIGH QUALITY, LONG GUARANTEE