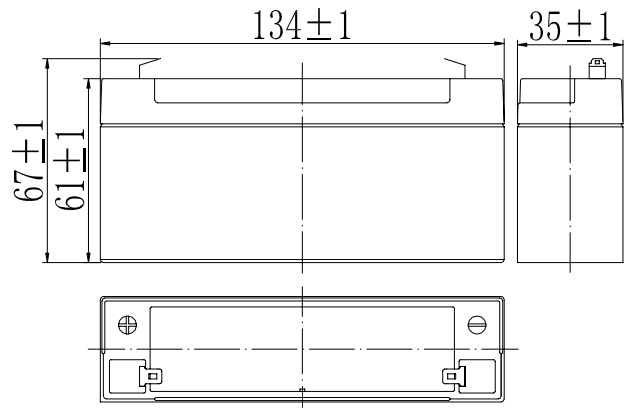


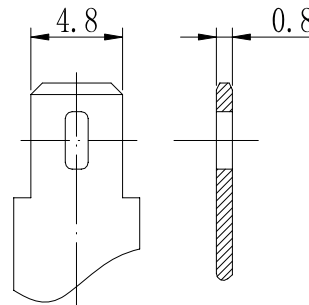
Specifications

Nominal Voltage		6 V
Capacity (25°C)	20HR(5.25V)	3.4Ah
	10HR(5.25V)	3.1Ah
	1HR(4.80V)	2.15Ah
Dimension	Length	134 ± 1mm (5.28inch)
	Width	35 ± 1mm (1.38inch)
	Height	61 ± 1mm (2.40inch)
	Total Height	67 ± 1mm (2.64inch)
Approx. Weight		0.65kg (1.43lbs) ± 5%
Terminal type		T1
Internal resistance (Fully charged, 25°C)		Approx. 25mΩ
Capacity affected by temperature (20HR)	40°C	102%
	25°C	100%
	0°C	85%
	-15°C	65%
Self-discharge (25°C)	3 month	Remaining Capacity: 91%
	6 month	Remaining Capacity: 82%
	12 month	Remaining Capacity: 65%
Nominal operating temperature		25°C ± 3°C (77°F ± 5°F)
Operating temperature range	Discharge	-15°C ~ 50°C (5°F ~ 122°F)
	Charge	-10°C ~ 50°C (14°F ~ 122°F)
	Storage	-20°C ~ 50°C (-4°F ~ 122°F)
Float charging voltage(25°C)		6.80 to 6.90V Temperature compensation: -9mV/°C
Cyclic charging voltage(25°C)		7.25 to 7.45V Temperature compensation: -15mV/°C
Maximum charging current		1.02A
Terminal material		Copper
Maximum discharge current		51A(5 sec.)
Designed floating life(20°C)		3~5 years

Dimensions



Terminal



Terminal T1

- ◆ Absorbent glass mat technology;
- ◆ Recognized by UL & CE;
- ◆ ABS container.

Constant Current Discharge Characteristics (A, 25°C)

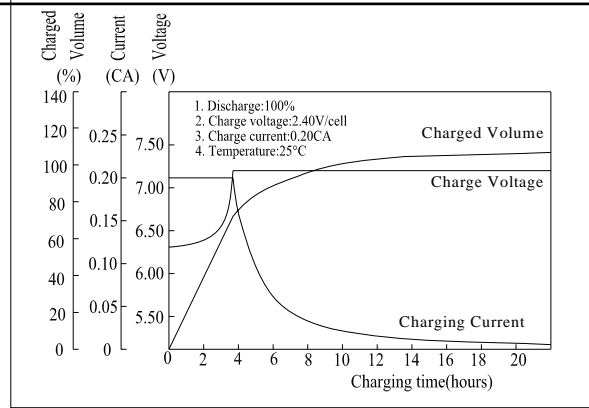
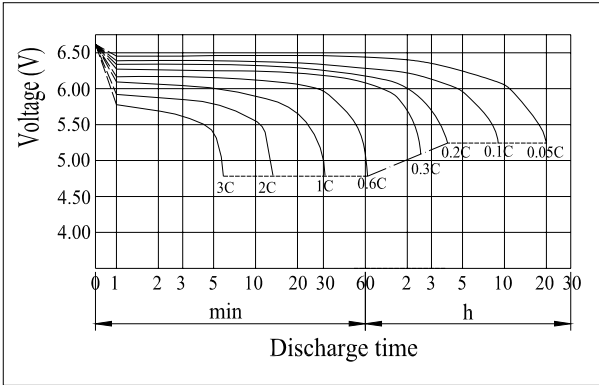
F.V/TIME	5min	10min	15min	30min	60min	2h	3h	4h	5h	10h	20h
4.80V	12.5	7.92	6.27	3.50	2.15	1.17	0.84	0.67	0.57	0.31	0.17
4.95V	12.2	7.68	6.12	3.43	2.11	1.17	0.84	0.67	0.57	0.31	0.17
5.10V	11.7	7.37	5.89	3.32	2.06	1.16	0.83	0.66	0.56	0.31	0.17
5.25V	11.2	7.05	5.69	3.24	2.02	1.14	0.83	0.66	0.56	0.31	0.17
5.40V	10.5	6.65	5.39	3.12	1.96	1.11	0.80	0.64	0.54	0.30	0.16

Constant Power Discharge Characteristics (Watt, 25°C)

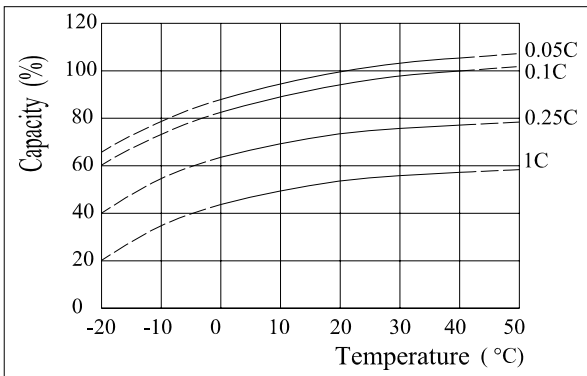
F.V/TIME	5min	10min	15min	30min	60min	2h	3h	4h	5h	10h	20h
4.80V	70.0	44.7	35.7	20.0	12.4	6.86	5.00	4.01	3.42	1.93	1.04
4.95V	67.9	43.3	34.9	19.6	12.2	6.82	4.97	3.99	3.40	1.92	1.03
5.10V	65.1	41.5	33.6	19.0	11.9	6.76	4.93	3.96	3.37	1.91	1.03
5.25V	62.3	39.8	32.5	18.6	11.7	6.66	4.90	3.93	3.35	1.90	1.02
5.40V	58.8	37.5	30.7	17.9	11.3	6.49	4.75	3.81	3.25	1.86	1.00

Note: The above characteristics data can be obtained within three charge/discharge cycles.

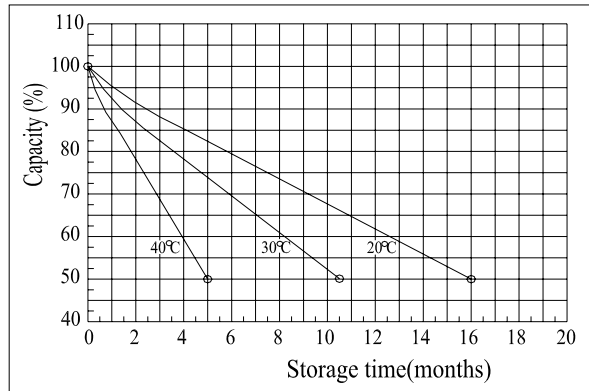
Discharge Characteristics(25°C)



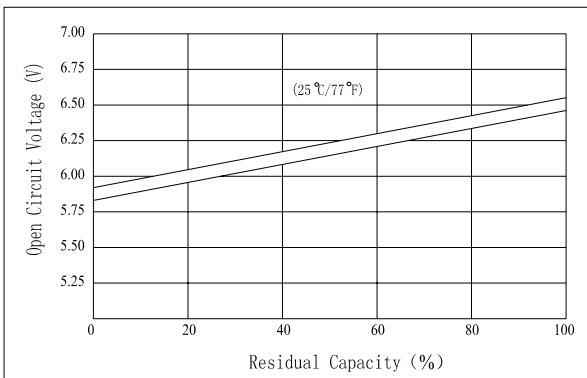
Effect of Temperature on Capacity



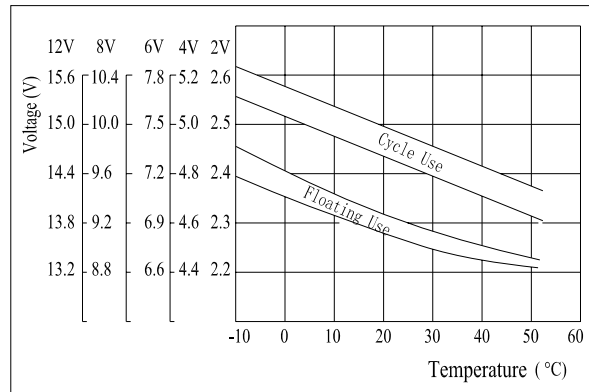
Self-discharge Characteristics



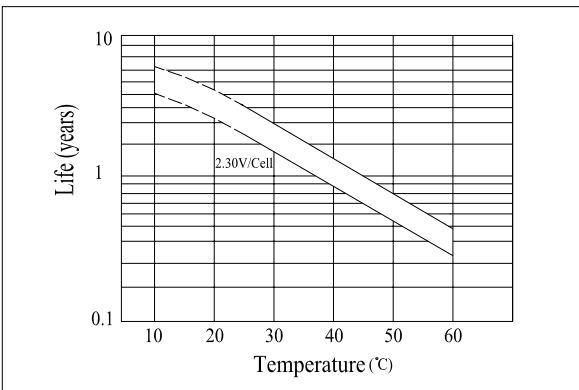
The Relationship for Open Circuit Voltage and Residual Capacity (25°C)



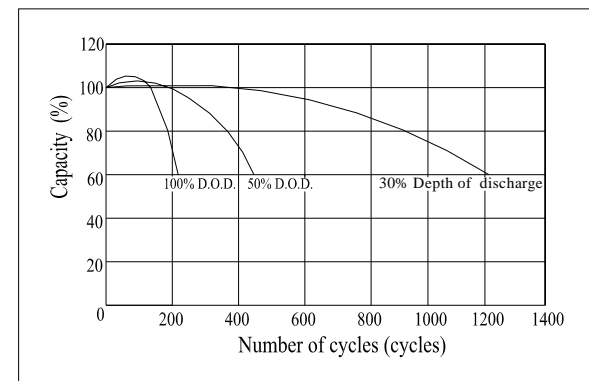
The Relationship for Charging Voltage and Temperature



Floating Life on Temperature



Cycle Life on D.O.D(25°C)



Charging Characteristics(25°C)