

Specifications

Nominal Voltage		12 V
Capacity (25°C)	20HR(10.5V)	2Ah
	10HR(10.5V)	1.86Ah
	1HR(9.60V)	1.3Ah
Dimension	Length	178 ± 2mm (7.01inch)
	Width	35 ± 1mm (1.38inch)
	Height	61 ± 1mm (2.40inch)
	Total Height	67 ± 1mm (2.64inch)
Approx. Weight		0.82kg (1.81lbs) ± 5%
Terminal type		T1
Internal resistance (Fully charged, 25°C)		Approx. 65mΩ
Capacity affected by temperature (20HR)	40°C	102%
	25°C	100%
	0°C	85%
	-15°C	65%
Self-discharge (25°C)	3 month	Remaining Capacity: 91%
	6 month	Remaining Capacity: 82%
	12 month	Remaining Capacity: 65%
Nominal operating temperature		25°C ± 3°C (77°F ± 5°F)
Operating temperature range	Discharge	-15°C ~ 50°C (5°F ~ 122°F)
	Charge	-10°C ~ 50°C (14°F ~ 122°F)
	Storage	-20°C ~ 50°C (-4°F ~ 122°F)
Float charging voltage(25°C)		13.60 to 13.80V Temperature compensation: -18mV/°C
Cyclic charging voltage(25°C)		14.50 to 14.90V Temperature compensation: -30mV/°C
Maximum charging current		0.6A
Terminal material		Copper
Maximum discharge current		30A(5 sec.)
Designed floating life(20°C)		3~5 years

- ◆ Absorbent glass mat technology;
- ◆ Recognized by UL & CE;
- ◆ ABS container.

Constant Current Discharge Characteristics (A, 25°C)

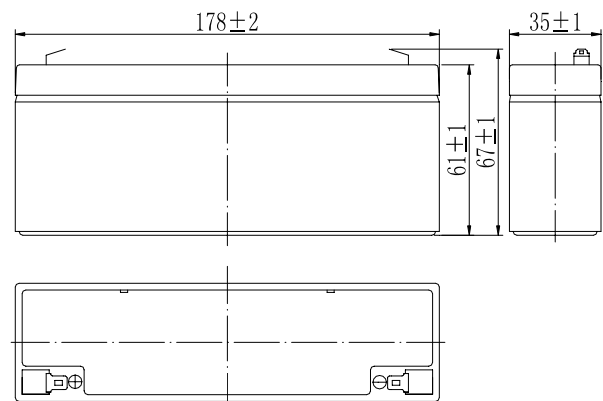
F.V/TIME	5min	10min	15min	30min	60min	2h	3h	4h	5h	10h	20h
9.60V	7.60	4.80	3.80	2.12	1.30	0.71	0.51	0.41	0.35	0.189	0.102
9.90V	7.37	4.66	3.71	2.08	1.28	0.71	0.51	0.41	0.34	0.188	0.101
10.2V	7.07	4.46	3.57	2.01	1.25	0.70	0.50	0.40	0.34	0.187	0.101
10.5V	6.76	4.27	3.45	1.97	1.22	0.69	0.50	0.40	0.34	0.186	0.100
10.8V	6.38	4.03	3.27	1.89	1.19	0.67	0.49	0.39	0.33	0.182	0.098

Constant Power Discharge Characteristics (Watt, 25°C)

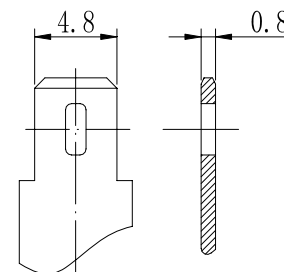
F.V/TIME	5min	10min	15min	30min	60min	2h	3h	4h	5h	10h	20h
9.60V	84.8	54.1	43.3	24.3	15.1	8.31	6.06	4.86	4.14	2.27	1.22
9.90V	82.3	52.5	42.3	23.8	14.8	8.26	6.02	4.83	4.12	2.26	1.21
10.2V	78.9	50.4	40.7	23.1	14.5	8.19	5.98	4.80	4.09	2.25	1.21
10.5V	75.5	48.2	39.3	22.5	14.2	8.07	5.94	4.76	4.06	2.23	1.20
10.8V	71.2	45.5	37.3	21.7	13.7	7.86	5.76	4.62	3.94	2.19	1.18

Note: The above characteristics data can be obtained within three charge/discharge cycles.

Dimensions



Terminal



Terminal T1

