

# 6LF33-X 12V 33Ah

## General Features

- Positive and negative plates in lead-calcium-tin alloy
- Stable Quality & High Reliability
- Sealed Construction
- Long Service Life
- Maintenance-Free Operation
- Low Pressure Venting System
- Low Self Discharge
- U. L. Component Recognition
- Six months shelf life at 20°C
- Design life 10 years



## Dimensions and Weight

	SI Units	English Units
Length	195mm	7.68inch
Width	130mm	5.12inch
Height	155mm	6.10inch
Total Height	168mm	6.61inch
Approx. Weight	11.0 Kg	24.3 lbs

## Performance Characteristics

- Nominal Voltage 12V
- Number of cell 6
- Nominal Capacity 77°F(25°C)
  - 10 hour rate (3.30A, 10.8V) 33.0Ah
  - 5 hour rate (5.58A, 10.5V) 27.9Ah
  - 1 hour rate (22.3A, 9.60V) 22.3Ah
- Internal Resistance
  - Fully Charged battery 77°F(25°C) 10mOhms
- Self-Discharge
  - 3% of capacity declined per month at 20°C(average)
- Operating Temperature Range
  - Discharge -20~60°C
  - Charge -10~60°C
  - Storage -20~60°C
- Max. Discharge Current 77°F(25°C) 330A(5s)
- Short Circuit Current 850A
- Charge Methods: Constant Voltage Charge 77°F(25°C)
  - Cycle use 14.4-14.7V
  - Maximum charging current 9.9A
  - Temperature compensation -30mV/°C
- Standby use 13.6-13.8V
  - Temperature compensation -20mV/°C

## Battery Construction

Component	Positive plate	Negative plate	Container	Cover	Safety valve	Terminal	Separator	Electrolyte
Raw material	Lead dioxide	Lead	ABS	ABS	Rubber	Pb	Fiberglass	Sulfuric acid

## SUNNY BATT Rechargeable Products Sealed Lead Acid Battery

The rechargeable batteries are lead-lead dioxide systems. The dilute sulfuric acid electrolyte is absorbed by separators and plates and thus immobilized. Should the battery be accidentally overcharged producing hydrogen and oxygen, special one-way valves allow the gases to escape thus avoiding excessive pressure build-up. Otherwise, the battery is completely sealed and is, therefore, maintenance-free, leak proof and usable in any position.

## General purpose application

SUNNY BATT LFseries are designed for general purpose applications, such as UPS, telecom, electrical utilities.

With 10 years design life, the batteries comply to the most popular international standards, such as IEC896-2, BS6290-4, Eurobat Guide.

The battery container and cover are available both in V0 class flame retardant ABS or HBO ABS plastics.

**Sunny batt group** has come to obtain wide recognition from customers all over the world. This is not only due to the fact that our products are featured by reliable stability in quality, but also because we attach great importance to our communication with customers and our perfect understanding of customers' requirements as well.

## Discharge Data

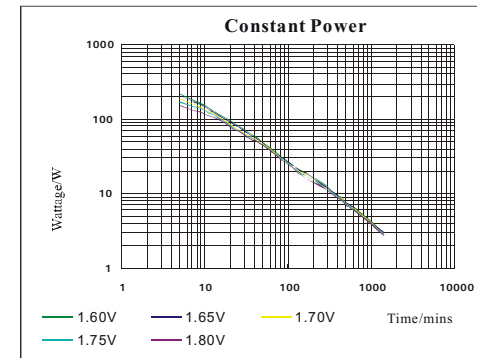
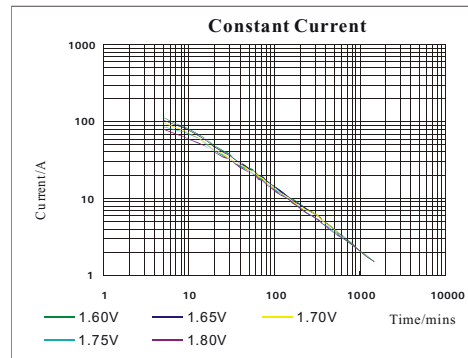
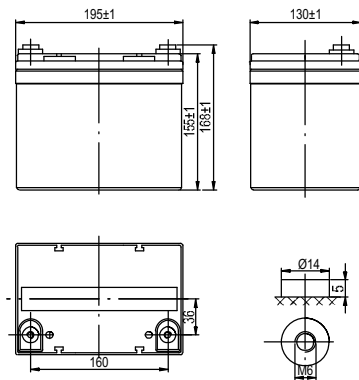
Constant Current Discharge Data ( Amperes at 25°C )

End Voltage Per cell / V	5min	10min	15min	20min	25min	30min	35min	40min	45min	50min	55min	1h	1.5h	2h	2.5h	3h	4h	5h	6h	7h	8h	9h	10h	12h	24h
1.60	115	80.2	61.5	49.3	41.9	37.0	32.7	29.4	26.9	25.1	23.6	22.3	15.7	12.4	10.4	9.08	7.34	6.30	5.32	4.62	4.10	3.69	3.36	2.86	1.54
1.65	106	77.3	59.4	47.9	40.9	36.3	32.3	29.2	26.9	24.9	23.3	21.9	15.4	12.2	10.3	8.97	7.27	6.25	5.28	4.59	4.08	3.67	3.35	2.85	1.53
1.70	99.0	73.0	54.5	43.9	37.5	33.2	29.8	27.2	25.2	23.6	22.3	21.2	14.8	11.6	9.73	8.45	7.01	6.15	5.21	4.53	4.03	3.63	3.32	2.84	1.52
1.75	87.8	69.0	52.0	42.4	36.6	32.8	29.2	26.6	24.5	22.8	21.4	20.3	14.3	11.3	9.46	8.25	6.58	5.58	4.79	4.22	3.80	3.46	3.31	2.82	1.52
1.80	79.5	60.0	49.5	40.7	35.4	31.9	28.4	25.8	23.8	22.2	20.9	19.8	14.0	11.1	9.35	8.18	6.51	5.50	4.70	4.13	3.70	3.37	3.30	2.81	1.51

Constant Power Discharge Data ( Watts per cell at 25°C )

End Voltage Per cell / V	5min	10min	15min	20min	25min	30min	35min	40min	45min	50min	55min	1h	1.5h	2h	2.5h	3h	4h	5h	6h	7h	8h	9h	10h	12h	24h
1.60	215	150	117	94.8	81.4	72.4	64.5	58.5	53.8	48.6	44.4	40.9	29.2	23.3	19.8	17.4	14.2	12.2	10.3	9.02	8.02	7.25	6.63	5.64	3.04
1.65	207	145	110	89.7	77.5	69.3	62.4	57.2	53.2	48.1	44.0	40.5	28.9	23.1	19.6	17.3	13.9	11.9	10.1	8.80	7.83	7.07	6.47	5.51	2.96
1.70	185	136	107	85.8	73.0	64.5	58.8	54.5	51.2	46.7	43.0	39.9	28.4	22.6	19.1	16.8	13.5	11.5	9.74	8.52	7.60	6.88	6.31	5.36	2.89
1.75	170	132	103	82.6	70.7	62.7	56.9	52.5	49.1	45.1	41.8	39.1	27.6	21.8	18.3	16.0	13.1	11.3	9.60	8.38	7.47	6.77	6.20	5.27	2.84
1.80	155	116	97.9	79.5	68.4	61.0	55.8	51.8	48.8	44.6	41.2	38.3	26.8	21.0	17.5	15.2	12.6	11.0	9.37	8.18	7.28	6.59	6.03	5.13	2.76

(Note)The above characteristics data are average values obtained within three charge/discharge cycles not the minimum values.



# 6LF33-X 12V 33Ah

