

# 6LF150-X 12V 150Ah

## General Features

- Positive and negative plates in lead-calcium-tin alloy
- Stable Quality & High Reliability
- Sealed Construction
- Long Service Life
- Maintenance-Free Operation
- Low Pressure Venting System
- Low Self Discharge
- U. L. Component Recognition
- Six months shelf life at 20°C
- Design life 10 years

## Dimensions and Weight

	SI Units	English Units
Length	482±2mm	18.98±2inch
Width	170±1mm	6.69±1inch
Height	240±2mm	9.45±2inch
Total Height	240±2mm	9.45±2inch
Approx. Weight	47.0Kg	104lbs



## Performance Characteristics

- Nominal Voltage 12V
- Number of cell 6
- Nominal Capacity 77°F(25°C)
  - 10 hour rate (15.0A, 10.8V) 150Ah
  - 5 hour rate (27.0A, 10.5V) 135Ah
  - 1 hour rate (102A, 9.60V) 102Ah
- Internal Resistance
  - Fully Charged battery 77°F(25°C) 3.7mOhms
- Self-Discharge
  - 3% of capacity declined per month at 20°C(average)
- Operating Temperature Range
  - Discharge -20~60°C
  - Charge -10~60°C
  - Storage -20~60°C
- Max. Discharge Current 77°F(25°C) 1000A(5s)
- Short Circuit Current 2700A
- Charge Methods: Constant Voltage Charge 77°F(25°C)
  - Cycle use 14.4-14.7V
  - Maximum charging current 45A
  - Temperature compensation -30mV/°C
- Standby use 13.6-13.8V
  - Temperature compensation -20mV/°C

## Battery Construction

Component	Positive plate	Negative plate	Container	Cover	Safety valve	Terminal	Separator	Electrolyte
Raw material	Lead dioxide	Lead	ABS	ABS	Rubber	Copper	Fiberglass	Sulfuric acid

## SUNNY BATT Rechargeable Products Sealed Lead Acid Battery

The rechargeable batteries are lead-lead dioxide systems. The dilute sulfuric acid electrolyte is absorbed by separators and plates and thus immobilized. Should the battery be accidentally overcharged producing hydrogen and oxygen, special one-way valves allow the gases to escape thus avoiding excessive pressure build-up. Otherwise, the battery is completely sealed and is, therefore, maintenance-free, leak proof and usable in any position.

## General purpose application

SUNNY BATT LFseries are designed for general purpose applications, such as UPS, telecom, electrical utilities.

With 10 years design life, the batteries comply to the most popular international standards, such as IEC896-2, BS6290-4, Eurobat Guide.

The battery container and cover are available both in V0 class flame retardant ABS or HBO ABS plastics.

SUNNY BATT GROUP has come to obtain wide recognition from customers all over the world. This is not only due to the fact that our products are featured by reliable stability in quality, but also because we attach great importance to our communication with customers and our perfect understanding of customers' requirements as well.

# 6LF150-X 12V 150Ah

## Discharge Data

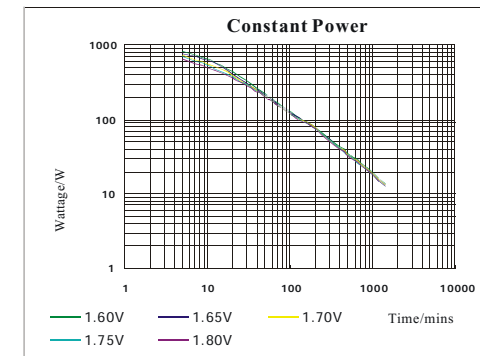
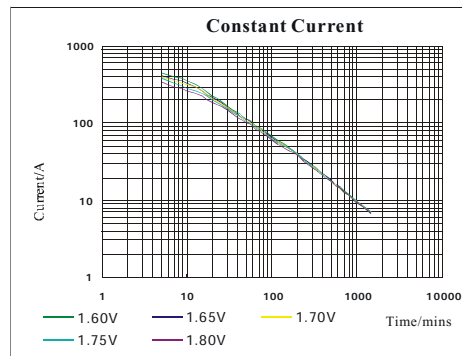
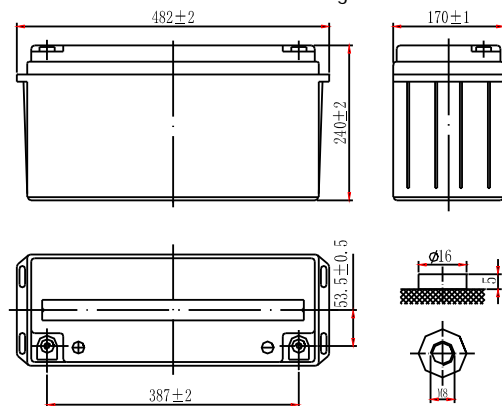
Constant Current Discharge Data ( Amperes at 25°C )

End Voltage Per cell / V	10min	15min	20min	25min	30min	35min	40min	45min	50min	55min	1h	1.5h	2h	2.5h	3h	4h	5h	6h	7h	8h	9h	10h	12h	24h
1.60	360	288	228	193	169	149	135	123	115	108	102	73.3	58.9	50.3	44.5	34.7	28.8	24.4	21.2	18.8	17.0	15.5	13.2	7.10
1.65	327	267	214	183	162	144	131	120	112	105	99.0	71.6	57.9	49.7	44.2	34.2	28.2	23.9	20.9	18.6	16.8	15.4	13.1	7.05
1.70	313	259	210	180	160	142	129	118	109	102	96.3	70.1	56.9	49.1	43.8	33.7	27.6	23.5	20.5	18.3	16.6	15.2	12.9	6.96
1.75	288	240	198	173	156	138	125	114	106	99.0	93.4	68.4	55.9	48.4	43.4	33.2	27.0	23.0	20.2	18.1	16.4	15.1	12.8	6.91
1.80	264	222	186	164	150	133	120	110	102	95.8	90.5	66.0	53.7	46.3	41.4	32.1	26.5	22.7	19.9	17.9	16.3	15.0	12.7	6.87

Constant Power Discharge Data ( Watts per cell at 25°C )

End Voltage Per cell / V	10min	15min	20min	25min	30min	35min	40min	45min	50min	55min	1h	1.5h	2h	2.5h	3h	4h	5h	6h	7h	8h	9h	10h	12h	24h
1.60	637	542	438	375	333	295	266	243	223	206	192	138	111	95.3	84.5	66.3	55.4	47.1	41.2	36.8	33.3	30.5	25.6	13.8
1.65	614	504	404	344	304	274	252	235	215	199	186	135	109	94.1	83.9	65.3	54.1	45.9	40.0	35.6	32.1	29.4	25.0	13.5
1.70	566	469	385	334	300	270	247	229	210	194	181	132	108	93.1	83.3	64.5	53.2	45.1	39.3	35.0	31.6	28.9	24.6	13.2
1.75	532	444	369	324	294	264	242	224	205	190	177	130	106	91.6	82.1	63.4	52.1	44.2	38.6	34.4	31.1	28.5	24.2	13.0
1.80	498	425	357	316	289	260	238	221	203	188	175	128	104	90.2	80.8	62.2	51.0	43.3	37.8	33.7	30.5	27.9	23.7	12.8

(Note) The above characteristics data are average values obtained within three charge/discharge cycles not the minimum values.



# 6LF150-X 12V 150Ah

