

# SG12-120X 12V 120Ah(10hr)

Gel battery shows some distinctive advantages over flooded battery or AGM battery, such as super thermal stability, high deep discharge capability, good recovery from deep discharge, even if the battery is left discharged for three days, it will recover to 100% of capacity. With the above-mentioned advantages, the gel battery has long service life, specially suitable for motive power applications, such as golf trailer, srubber, folklift, etc. The deep discharge cycles increased 50% as compared with the AGM battery.

## Battery Construction

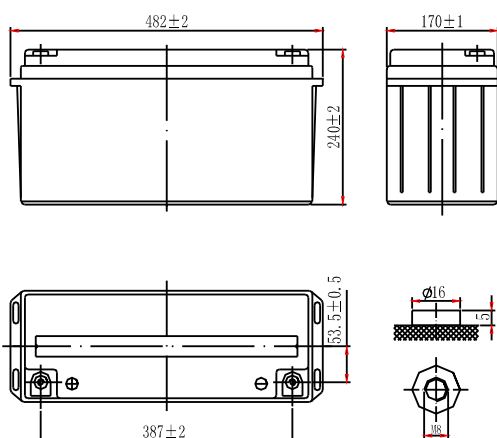
Component	Positive plate	Negative plate	Container	Cover	Safety valve	Terminal	Separator	Electrolyte
Raw material	Lead dioxide	Lead	ABS	ABS	Rubber	Copper	PVC	Gelled acid

## General Features

- Nanometer SiO<sub>2</sub> and H<sub>2</sub>SO<sub>4</sub> gelled electrolyte technology for efficiency gas recombination of up to 99% and freedom from electrolyte maintenance or water adding.
- Not restricted for air transport-complies with IATA/ICAO Special Provision A67.
- UL-recognized component.
- Can be mounted in any orientation.
- Computer designed lead, calcium tin alloy grid for high power density.
- Long service life, float or cyclic applications.
- Maintenance-free operation.
- Low self discharge.
- Case and cover available in both standard and flame restardant ABS.

## Dimensions and Weight

Length(mm / inch)	482 / 19.0
Width(mm / inch)	170 / 6.69
Height(mm / inch)	240 / 9.45
Total Height(mm / inch)	240 / 9.45
Approx. Weight(Kg / lbs)	44.5 / 98.2



## Performance Characteristics

Nominal Voltage	12V
Number of cell	6
Design Life	12 years
Nominal Capacity 77°F(25°C)	
10 hour rate (12.0A, 10.8V)	120Ah
5 hour rate (21.1A, 10.5V)	105.5 Ah
1 hour rate (74.4A, 9.6V)	74.4Ah
Internal Resistance	
Fully Charged battery 77°F(25°C)	6.0mOhms
Self-Discharge	2% of capacity declined per month at 20°C(average)
Operating Temperature Range	
Discharge	-20~60°C
Charge	-10~60°C
Storage	-20~60°C
Max. Discharge Current 77°F(25°C)	750A(5s)
Short Circuit Current	2600A
Charge Methods: Constant Voltage Charge 77°F(25°C)	
Cycle use	14.4-14.7V
Maximum charging current	36.0A
Temperature compensation	-20mV/°C
Standby use	13.5 -13.8V
No charge current limit is required	
Temperature compensation	-30mV/°C

## Discharge Constant Current (Amperes at 77°F25°C)

End point volts/cell	10min	15min	30min	1h	3h	5h	10h	20h
1.60V	252	206	120	74.4	31.2	22.8	12.6	6.72
1.65V	238	192	118	72.0	30.4	22.1	12.4	6.60
1.70V	223	182	115	69.6	29.6	21.6	12.2	6.48
1.75V	209	168	113	67.2	29.2	21.1	12.1	6.42
1.80V	194	154	108	63.6	28.0	20.4	12.0	6.30

## Discharge Constant Power (Watts at 77°F25°C)

End point volts/cell	10min	15min	30min	1h	3h	5h	10h	20h
1.60V	431	350	225	139	58.4	43.8	24.4	13.2
1.65V	411	347	215	132	55.4	41.3	23.2	12.5
1.70V	400	333	205	127	52.6	39.4	21.7	11.9
1.75V	380	312	199	123	50.0	38.5	20.9	11.5
1.80V	361	295	190	117	47.0	35.9	19.6	11.1

(Note)The above characteristics data are average values obtained within three charge/discharge cycles not the minimum values.

# SG12-120X 12V 120Ah

